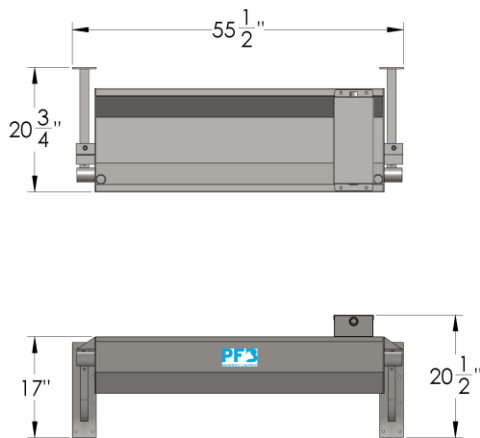


4' Tip Tank

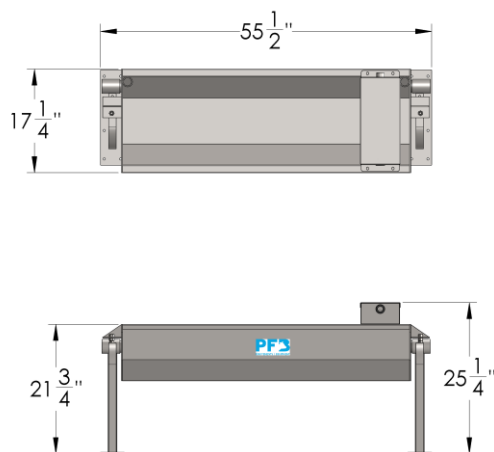
QUICKLY DUMP STAGNANT WATER IN TIP TROUGH



WALL MOUNT

- STAINLESS STEEL MATERIAL
- CAPACITY 75 LITERS
- NO TOOLING NEEDED FOR VALVE ADJUSTMENT
- LENGTH 55 1/2"
- WIDTH 20 3/4"
- HEIGHT 20 1/2"

RECOMMENDED INSTALLATION HEIGHT 30" TO 32" FROM TOP OF WATER TROUGH TO FLOOR

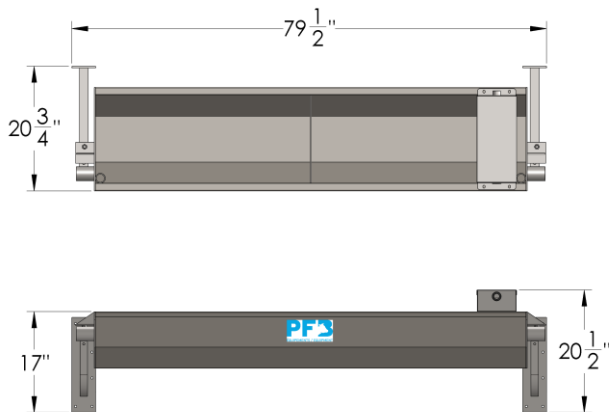


FLOOR MOUNT

- STAINLESS STEEL MATERIAL
- CAPACITY 75 LITERS
- NO TOOLING NEEDED FOR VALVE ADJUSTMENT
- LENGTH 55 1/2"
- WIDTH 17 1/4"
- HEIGHT 21 3/4"
- OVERALL HEIGHT 25 1/4"

6' Tip Tank

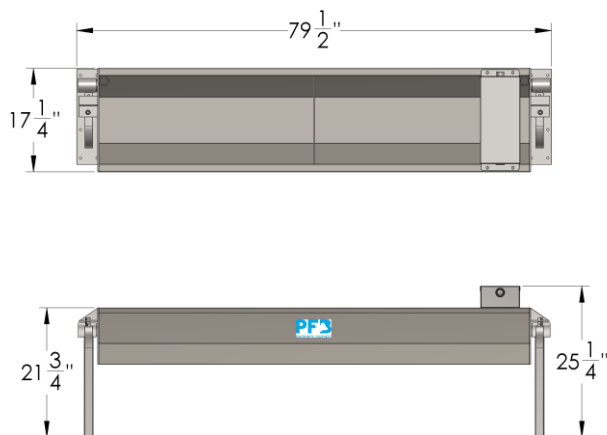
QUICKLY DUMP STAGNANT WATER IN TIP TROUGH



WALL MOUNT

- STAINLESS STEEL MATERIAL
- CAPACITY 113 LITERS
- NO TOOLING NEEDED FOR VALVE ADJUSTMENT
- LENGTH 79 1/2"
- WIDTH 20 3/4"
- HEIGHT 20 1/2"

RECOMMENDED INSTALLATION HEIGHT 30" TO 32" FROM TOP OF WATER TROUGH TO FLOOR



FLOOR MOUNT

- STAINLESS STEEL MATERIAL
- CAPACITY 13 LITERS
- NO TOOLING NEEDED FOR VALVE ADJUSTMENT
- LENGTH 79 1/2"
- WIDTH 17 1/4"
- HEIGHT 21 3/4"
- OVERALL HEIGHT 25 1/4"