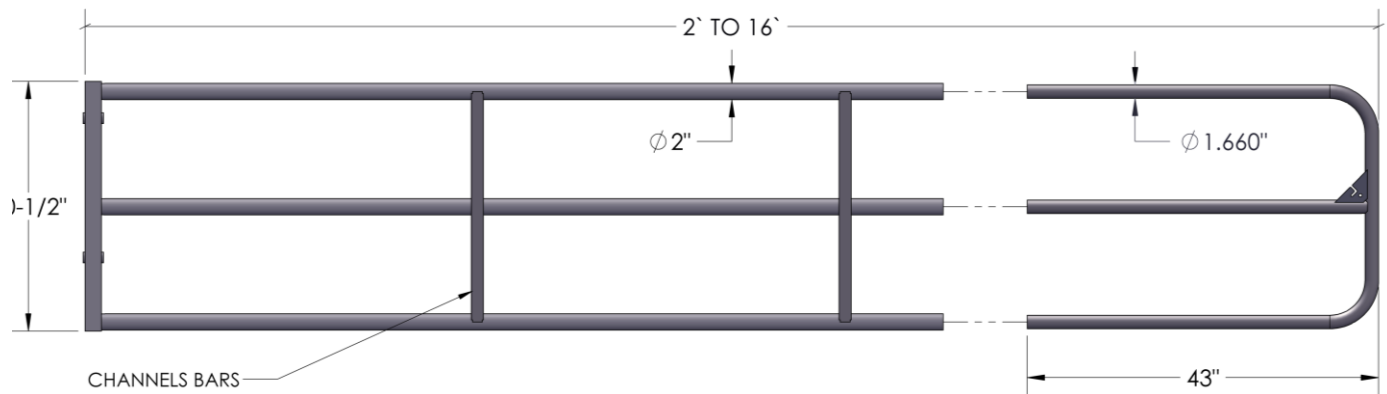


3 Bars Gates

THE BEST GATES FOR TRAFFIC

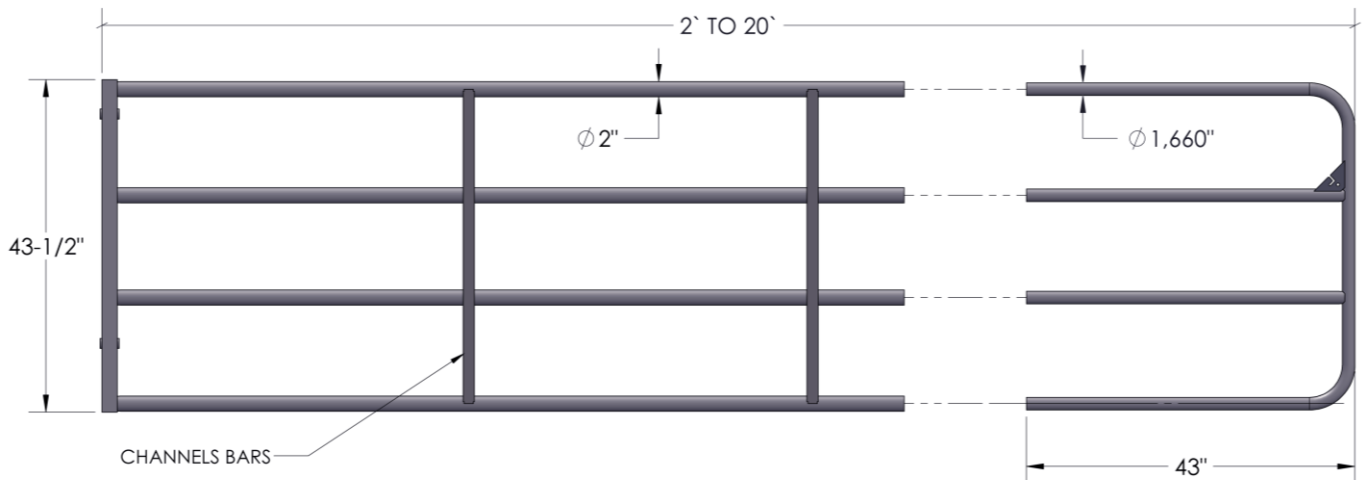
- 2 ADJUSTABLE PARTS DESIGNED
- ADJUSTABLE LENGTH FROM 2' TO 16'
- EYELET OR LATCH EXTENSION AVAILABLE
- CHANNELS BARS IN 2 PIECES FOR MORE RIGIDITY
- 3 BARS MODEL, LIGHT AND EASY TO MOVE
- HOT DIP GALVANIZED TO THE HIGHEST INTERNATIONAL GALVANIZING STANDARDS
- RUGGED DESIGN MADE OF PREMIUM STEEL GRADE



4 Bars Gates

IN FREE STALL USE

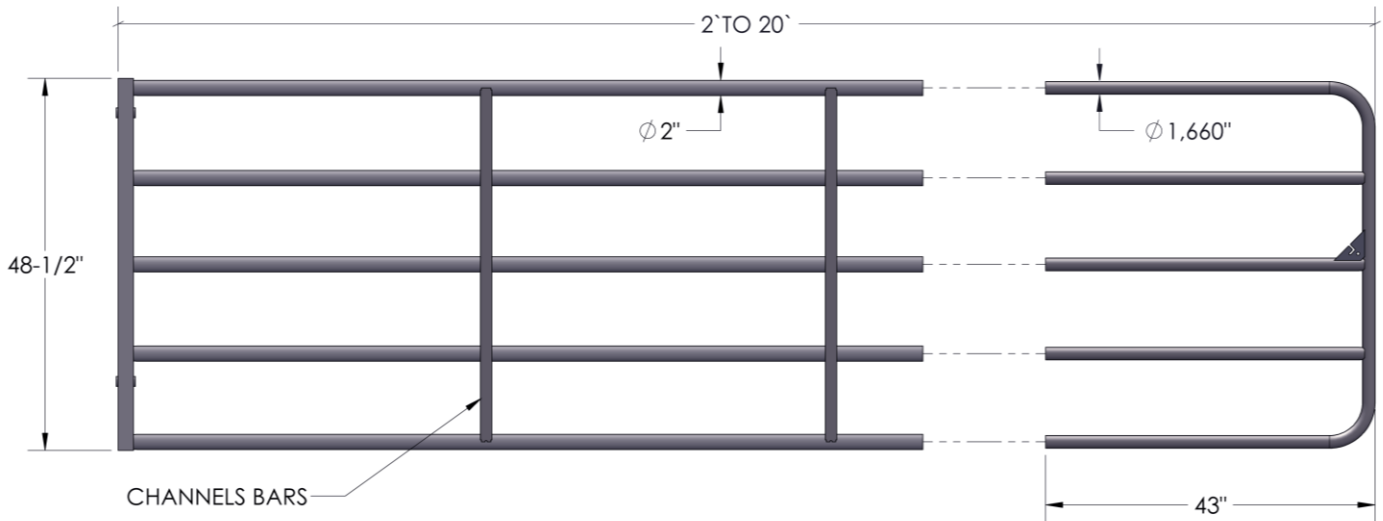
- 2 ADJUSTABLE PARTS DESIGNED
- ADJUSTABLE LENGTH FROM 2' TO 20'
- EYELET OR LATCH EXTENSION AVAILABLE
- CHANNELS BARS IN 2 PIECES FOR MORE RIGIDITY
- USED FOR MILK COWS
- HOT DIP GALVANIZED TO THE HIGHEST INTERNATIONAL GALVANIZING STANDARDS
- RUGGED DESIGN MADE OF PREMIUM STEEL GRADE



5 Bars Gates

FREE STALL AND HEIFER BARN

- 2 ADJUSTABLE PARTS DESIGNED
- ADJUSTABLE WIDTH FROM 2' TO 20'
- EYELET OR LATCH EXTENSION AVAILABLE
- CHANNELS BARS IN 2 PIECES FOR MORE RIGIDITY
- IDEAL FOR STABLE ON ACCUMULATION AND RELIEF
- HOT DIP GALVANIZED TO THE HIGHEST INTERNATIONAL GALVANIZING STANDARDS
- RUGGED DESIGN MADE OF PREMIUM STEEL GRADE



6 Bars Gates

CALVING BARN COW-CALF

- 2 ADJUSTABLE PARTS DESIGNED
- ADJUSTABLE WIDTH FROM 2' TO 20'
- EYELET OR LATCH EXTENSION AVAILABLE
- BEST CHOICE ON ACCUMULATION BARN AND CALFS
- RESTRICTED SPACE BETWEEN THE SIDE BARS
- HOT DIP GALVANIZED RESPECTING THE HIGHEST INTERNATIONAL GALVANIZATION STANDARDS
- C" PROFILED BARS (CHANNELS) IN 2 PIECES FOR MORE RIGIDITY
- MADE OF PREMIUM STEEL GRADE

