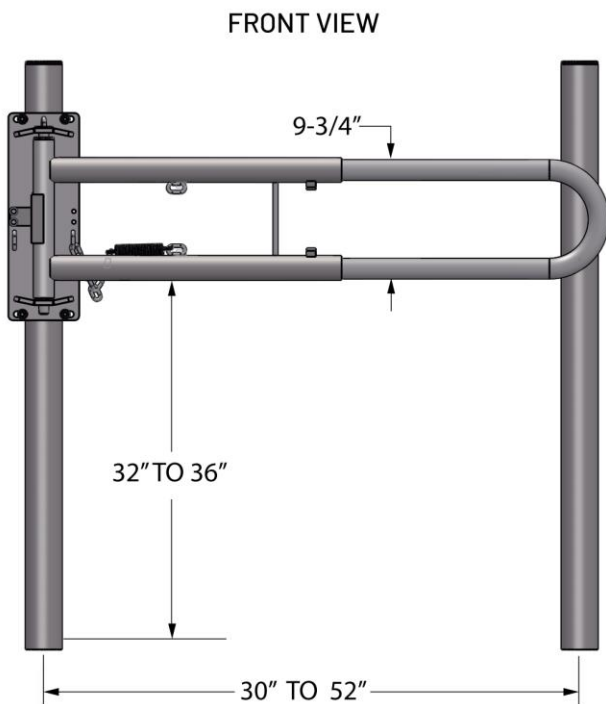


Anti-return gate

GUIDE TRAFFIC WITH THIS ONE-DIRECTION BARRIER

- ALLOWS BLOCKING SIDE PASSAGES WHEN THEY ARE OPEN
- ALLOWING AN OPENING OF 35" TO 51" C/C FROM POSTS
- ESSENTIAL FOR TRAFFIC MANAGEMENT WITH GATE RETURN BY SPRING OR GRAVITY
- HOT DIP GALVANIZED TO THE HIGHEST INTERNATIONAL GALVANIZING STANDARDS
- RUGGED DESIGN MADE OF PREMIUM STEEL GRADE



TOP VIEW CLOSE



TOP VIEW 45° OPEN

