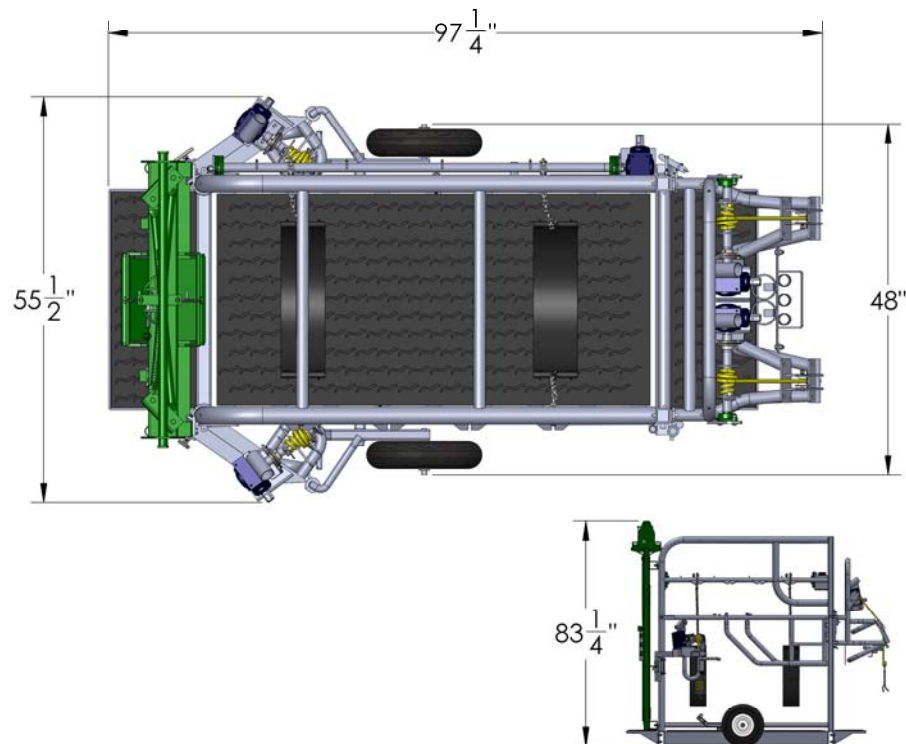


SL Hoof Trimming Chute

FOR A SAFE HOOF TRIMMING IN FREE STALL BARN

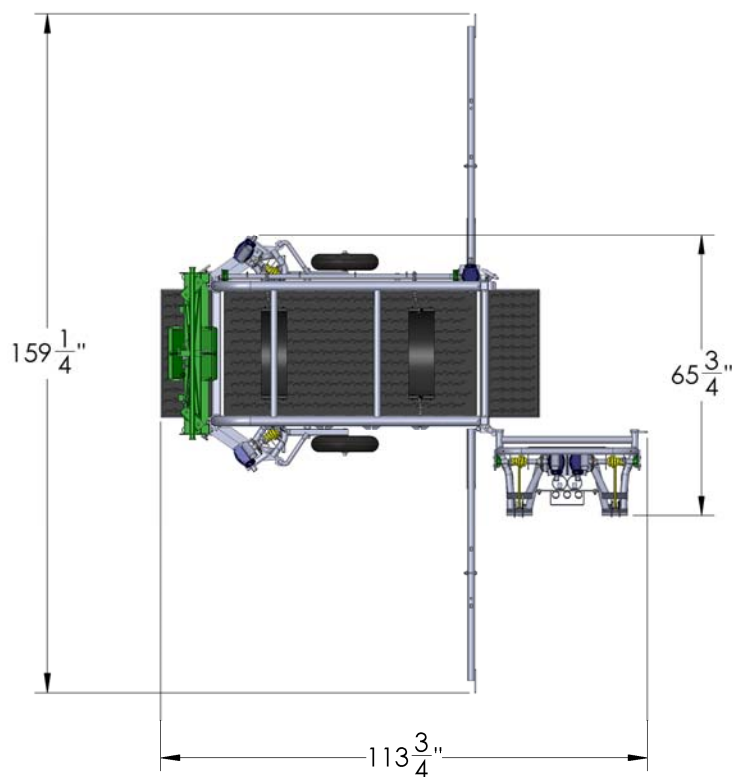
- INNOVATIVE DESIGN (PATENT PENDING)
- FRONT ATTACHMENTS OPTIMIZE AND STABILIZE ANIMAL COMFORT
- BACK ATTACHMENTS HAVE BEEN DESIGNED WITH ANIMAL'S ANATOMY IN MIND
- REDUCE WORK TIME
- MINIMIZE USER EFFORT
- 2 MILWAUKEE DRILL INCLUDED
- GALVANIZED STEEL OFFERS DURABILITY AND EASE OF MAINTENANCE



SL Hoof Trimming Chute

FOR A SAFE HOOF TRIMMING IN FREE STALL BARN

- SIDE DOOR OPENING ON BOTH SIDE
- MOVING REAR DOOR TO OBTAIN FULL WIDTH
- REMOVABLE WHEEL FOR MOVING
- OPEN WIDTH 159 1/4"
- OPEN LENGTH 113 3/4" WITH REAR DOOR OPEN
- OPEN WIDTH 65 3/4" WITH ONLY REAR DOOR OPEN



SL Hoof Trimming Chute

FREE STALL BARN SAFETY



INNOVATIVE DESIGNED

- ANIMAL COMFORT OPTIMIZE ON FRONT SUPPORT
- EASY TO USE
- SPEEDS UP WORKING TIME
- REDUCE WORK EFFORT



INNOVATIVE DESIGNED

- DESIGNED WITH ANIMAL ANATOMY IN MIND
- EASY TO USE