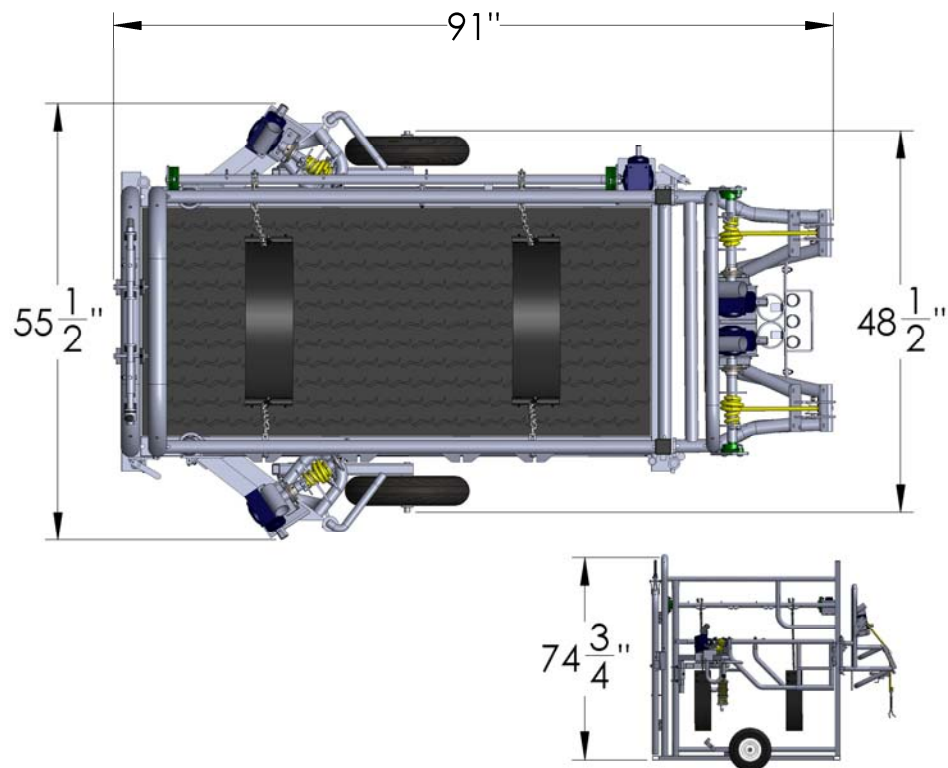


SA Hoof Trimming Chute

FOR SAFE HOOF TRIMMING IN TIE STALL BARN

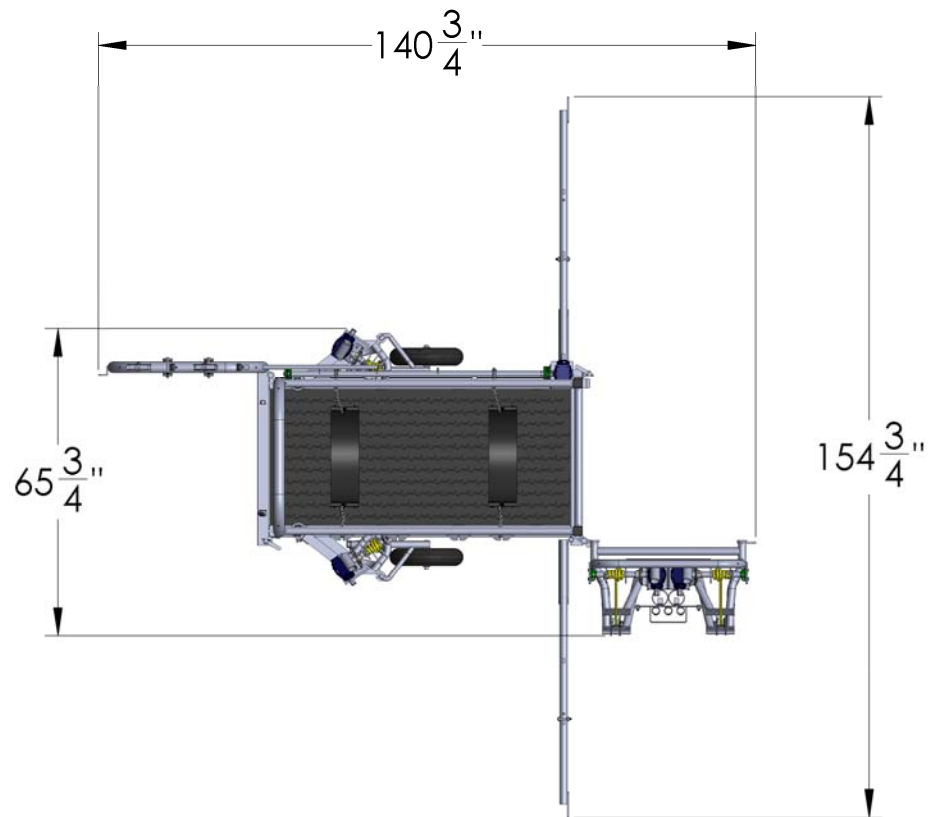
- INNOVATIVE DESIGN (PATENT PENDING)
- FRONT ATTACHMENTS You raise the herd. We raise the standards. OPTIMIZE AND STABILIZE ANIMAL COMFORT
- BACK ATTACHMENTS HAVE BEEN DESIGNED WITH ANIMAL'S ANATOMY IN MIND
- REDUCE WORK TIME
- MINIMIZE USER EFFORT
- 1 MILWAUKEE DRILL INCLUDED
- GALVANIZED STEEL OFFERS DURABILITY AND EASE OF MAINTENANCE



SA Hoof Trimming Chute

FOR SAFE HOOF TRIMMING IN TIE STALL BARN

- SIDE DOOR OPENING ON BOTH SIDE
- MOVING REAR DOOR TO OBTAIN FULL WIDTH
- REMOVABLE WHEEL FOR MOVING
- OPEN WIDTH 154 3/4"
- OPEN LENGTH 140 3/4" WITH REAR DOOR OPEN
- OPEN WIDTH 65 3/4" WITH ONLY REAR DOOR OPEN



SA Hoof Trimming Chute

TIE STALL SAFETY



INNOVATIVE DESIGNED

- ANIMAL COMFORT OPTIMIZE ON FRONT SUPPORT
- EASY TO USE
- SPEEDS UP WORKING TIME
- REDUCE WORK EFFORT



INNOVATIVE DESIGNED

- DESIGNED WITH ANIMAL ANATOMY IN MIND
- EASY TO USE